

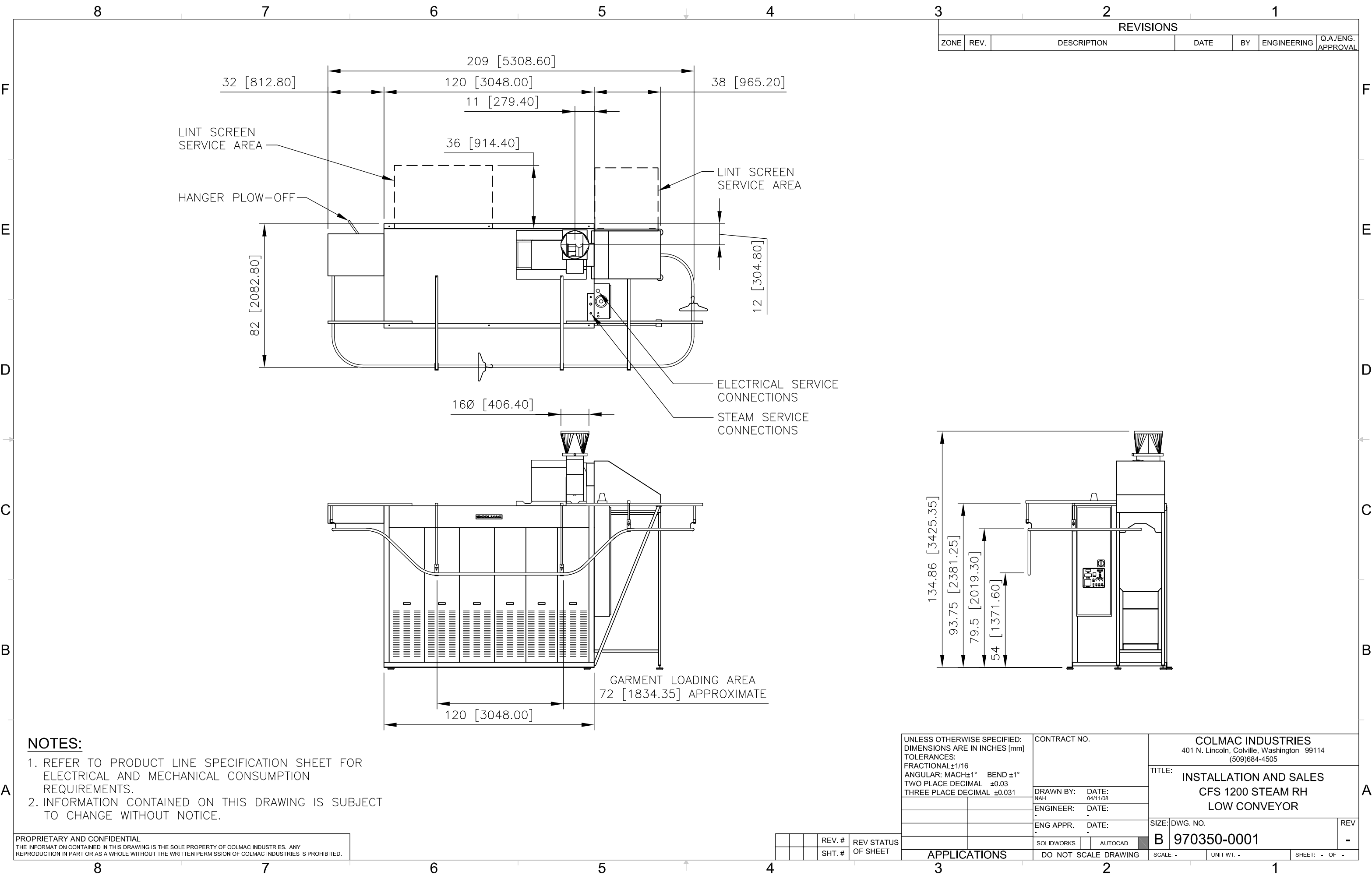
REVISIONS					
ZONE	REV.	DESCRIPTION	DATE	BY	ENGINEERING Q.A./ENG. APPROVAL

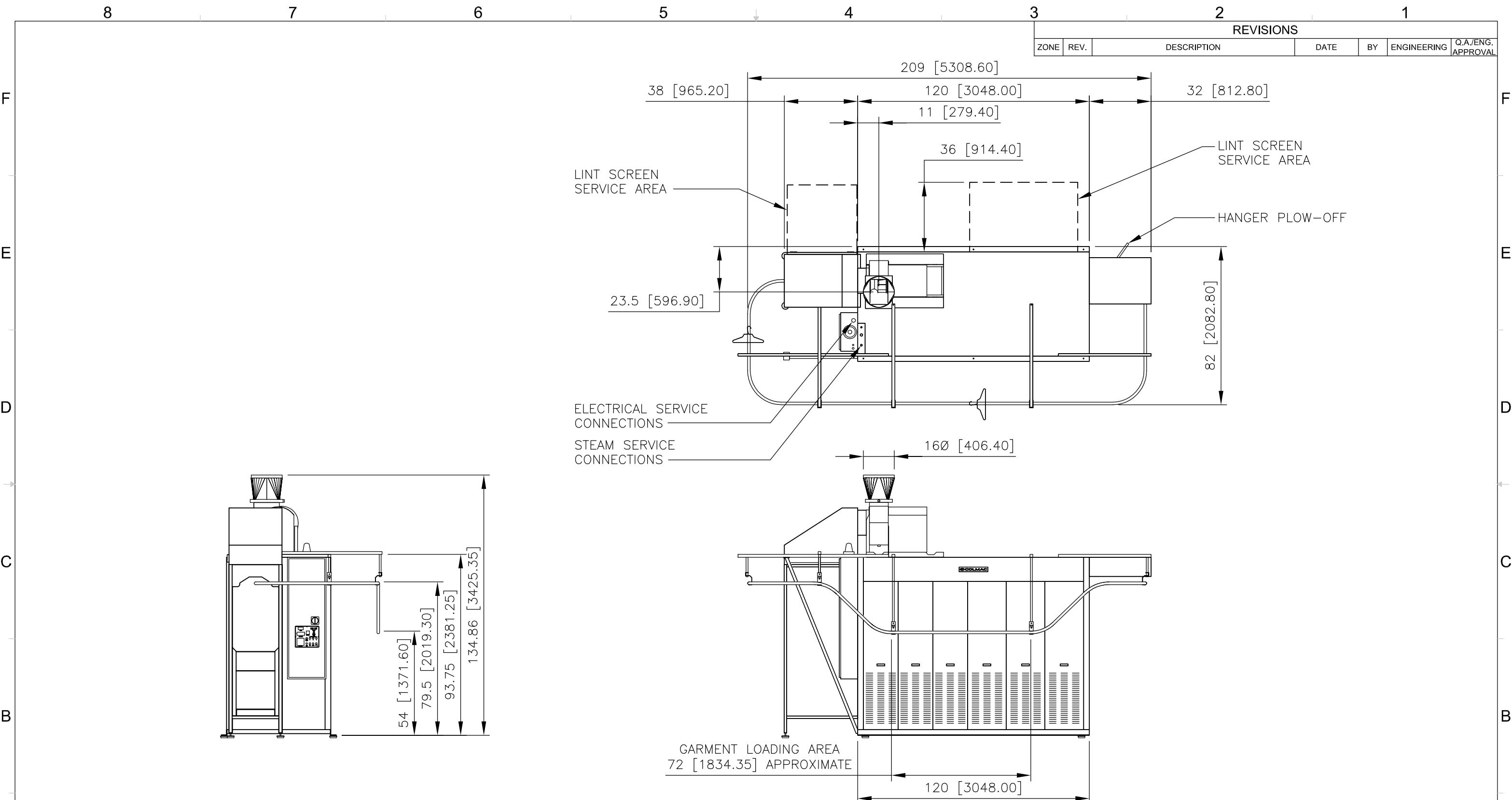
- NOTES:**
- REFER TO PRODUCT LINE SPECIFICATION SHEET FOR ELECTRICAL AND MECHANICAL CONSUMPTION REQUIREMENTS.
 - INFORMATION CONTAINED ON THIS DRAWING IS SUBJECT TO CHANGE WITHOUT NOTICE.

PROPRIETARY AND CONFIDENTIAL
 THE INFORMATION CONTAINED IN THIS DRAWING IS THE SOLE PROPERTY OF COLMAC INDUSTRIES. ANY REPRODUCTION IN PART OR AS A WHOLE WITHOUT THE WRITTEN PERMISSION OF COLMAC INDUSTRIES IS PROHIBITED.

REV. #	REV STATUS OF SHEET

UNLESS OTHERWISE SPECIFIED: DIMENSIONS ARE IN INCHES [mm] TOLERANCES: FRACTIONAL ±1/16 ANGULAR: MACH ±1° BEND ±1° TWO PLACE DECIMAL ±0.03 THREE PLACE DECIMAL ±0.031	CONTRACT NO.		COLMAC INDUSTRIES 401 N. Lincoln, Colville, Washington 99114 (509)684-4505	
	DRAWN BY: NAH	DATE: 04/11/08	TITLE: INSTALLATION AND SALES CFS 1200 STEAM RH LOW CONVEYOR	
	ENGINEER:	DATE:	SIZE: DWG. NO.	
	ENG APPR.:	DATE:	B 970350-0001	
APPLICATIONS		SOLIDWORKS	AUTOCAD	SCALE: - UNIT WT. - SHEET: - OF -





REVISIONS						
ZONE	REV.	DESCRIPTION	DATE	BY	ENGINEERING	Q.A./ENG. APPROVAL

- NOTES:**
- REFER TO PRODUCT LINE SPECIFICATION SHEET FOR ELECTRICAL AND MECHANICAL CONSUMPTION REQUIREMENTS.
 - INFORMATION CONTAINED ON THIS DRAWING IS SUBJECT TO CHANGE WITHOUT NOTICE.

UNLESS OTHERWISE SPECIFIED: DIMENSIONS ARE IN INCHES [mm] TOLERANCES: FRACTIONAL ±1/16 ANGULAR: MACH ±1° BEND ±1° TWO PLACE DECIMAL ±0.03 THREE PLACE DECIMAL ±0.031	CONTRACT NO.		COLMAC INDUSTRIES 401 N. Lincoln, Colville, Washington 99114 (509)684-4505	
	DRAWN BY: NAH		DATE: 04/11/08	
	ENGINEER:		DATE:	
	ENG APPR.:		DATE:	
SOLIDWORKS		AUTOCAD		TITLE: INSTALLATION AND SALES CFS 1200 STEAM LH LOW CONVEYOR
DO NOT SCALE DRAWING		SIZE: DWG. NO. B 970351-0001	REV -	SCALE: - UNIT WT. - SHEET: - OF -

PROPRIETARY AND CONFIDENTIAL
 THE INFORMATION CONTAINED IN THIS DRAWING IS THE SOLE PROPERTY OF COLMAC INDUSTRIES. ANY REPRODUCTION IN PART OR AS A WHOLE WITHOUT THE WRITTEN PERMISSION OF COLMAC INDUSTRIES IS PROHIBITED.

REV. #	REV STATUS OF SHEET

APPLICATIONS

8 7 6 5 4 3 2 1

F

E

D

C

B

A

F

E

D

C

B

A

8 7 6 5 4 3 2 1