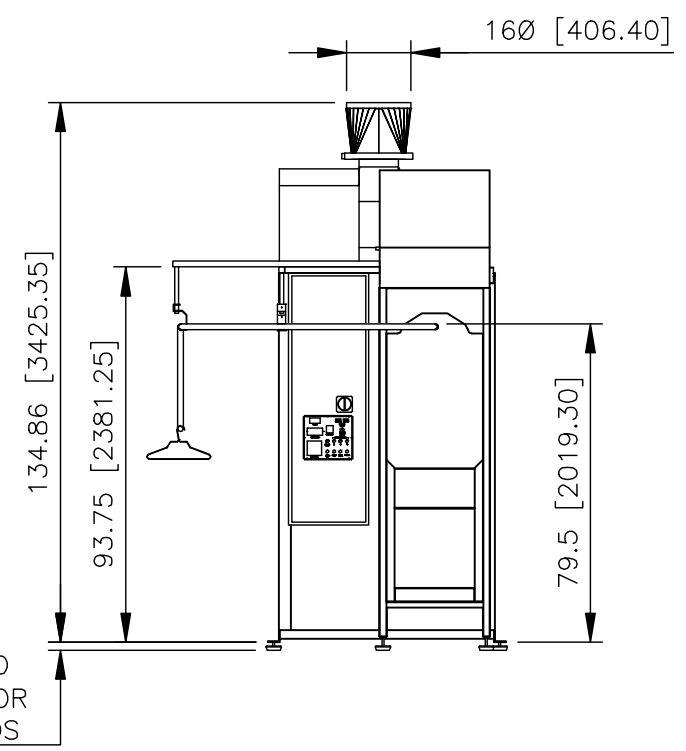
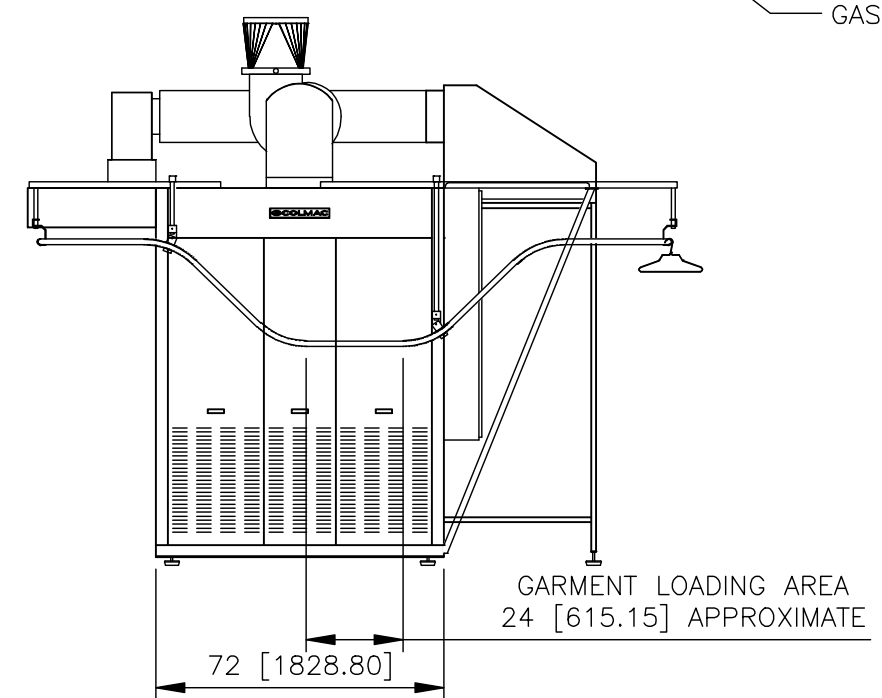
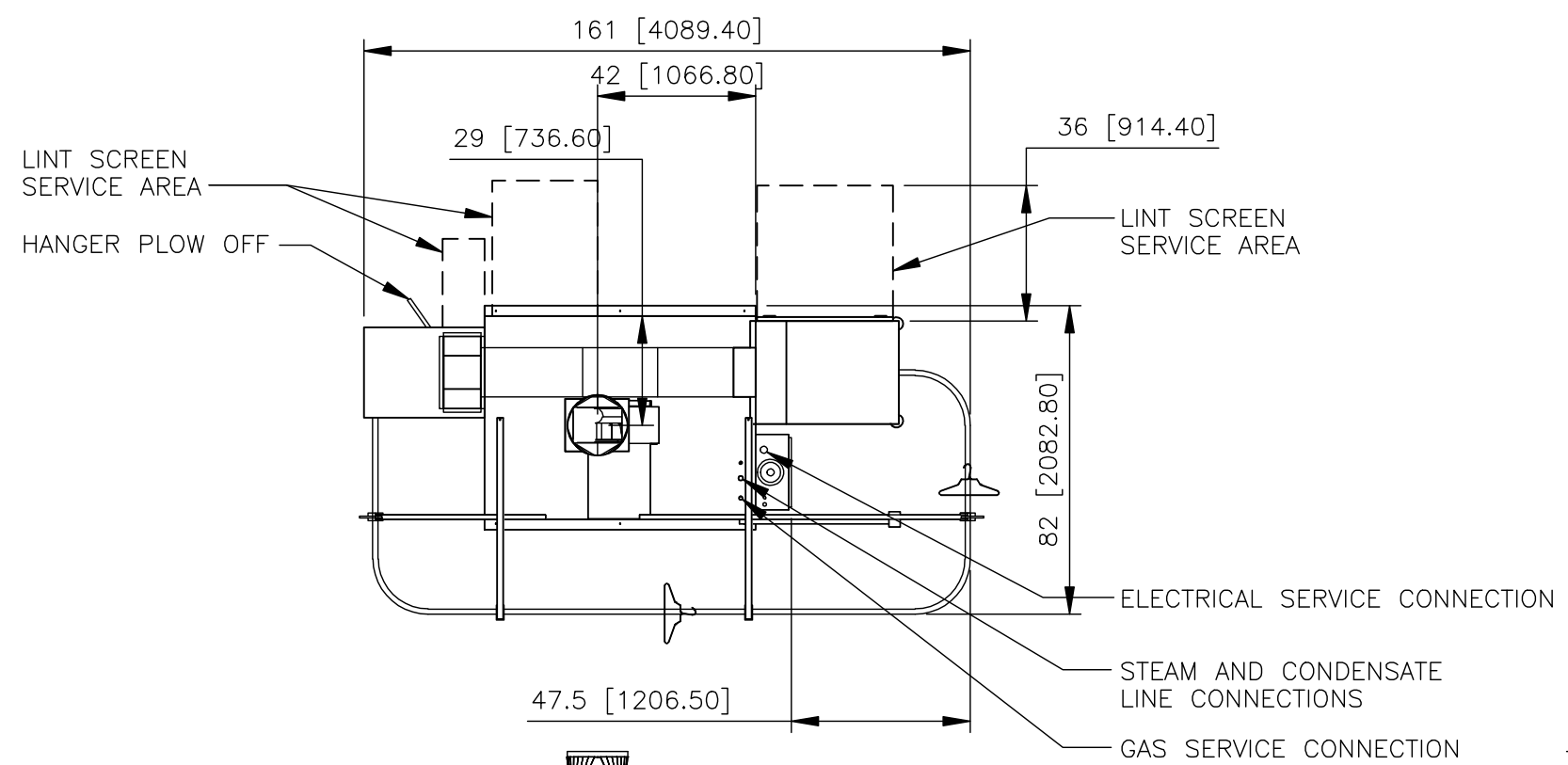


8 7 6 5 4 3 2 1

REVISIONS						
ZONE	REV.	DESCRIPTION	DATE	BY	ENGINEERING	Q.A./ENG. APPROVAL



NOTES:

1. REFER TO PRODUCT LINE SPECIFICATION SHEET FOR ELECTRICAL AND MECHANICAL CONSUMPTION REQUIREMENTS.
2. INFORMATION CONTAINED ON THIS DRAWING IS SUBJECT TO CHANGE WITHOUT NOTICE.

PROPRIETARY AND CONFIDENTIAL
THE INFORMATION CONTAINED IN THIS DRAWING IS THE SOLE PROPERTY OF COLMAC INDUSTRIES. ANY REPRODUCTION IN PART OR AS A WHOLE WITHOUT THE WRITTEN PERMISSION OF COLMAC INDUSTRIES IS PROHIBITED.

UNLESS OTHERWISE SPECIFIED: DIMENSIONS ARE IN INCHES [mm] TOLERANCES: FRACTIONAL: ±1/16 ANGULAR: MACH ±1° BEND ±1° TWO PLACE DECIMAL ±0.03 THREE PLACE DECIMAL ±0.001	CONTRACT NO.		COLMAC INDUSTRIES 401 N. Lincoln, Colville, Washington 99114 (509)884-4505		
	DRAWN BY: NAH	DATE: 04/03/08	TITLE: INSTALLATION AND SALES CFS 600 G/S RH LOW CONVEYOR		
	ENGINEER:	DATE:			
	ENG APPR.	DATE:	SIZE: DWG. NO.	REV	
		B 970336-0001	-		

REV. #	REV STATUS OF SHEET

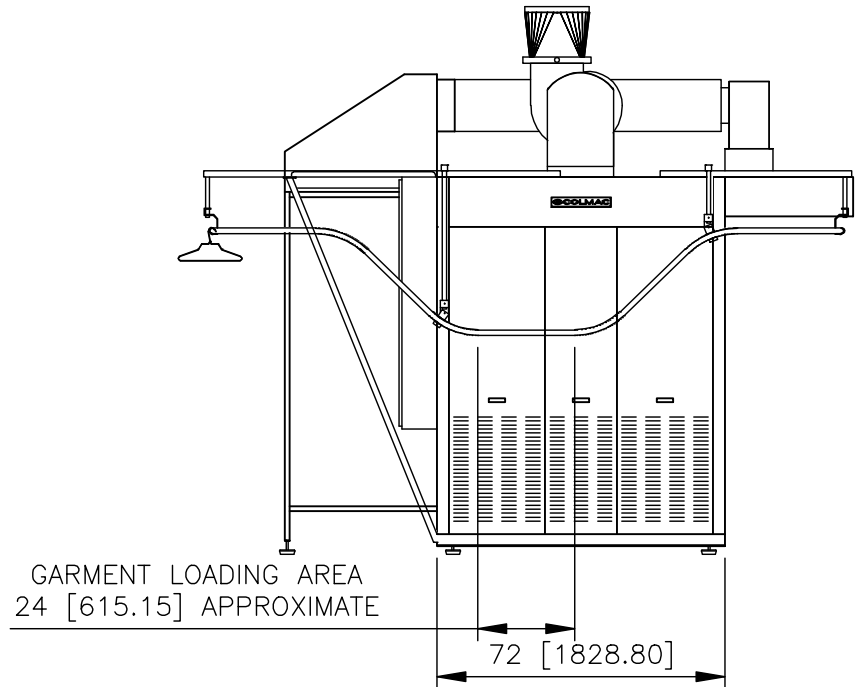
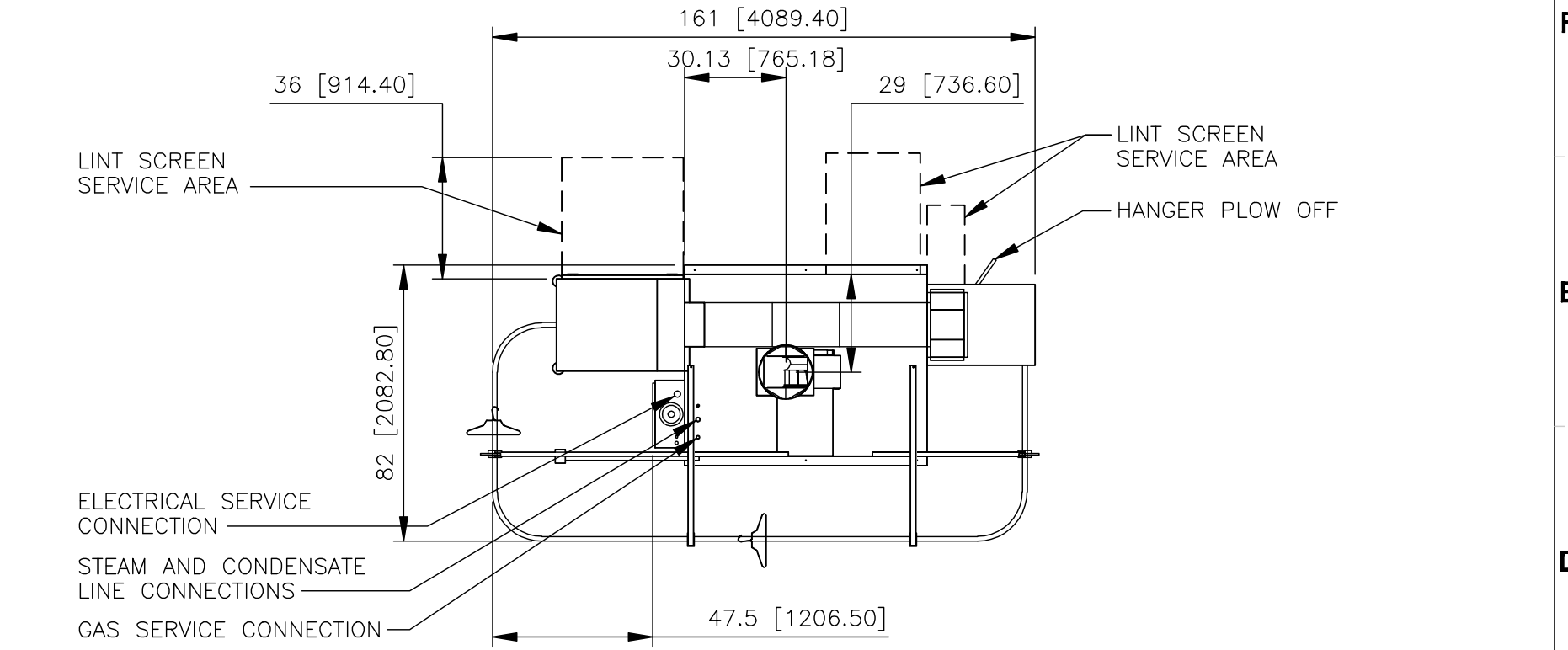
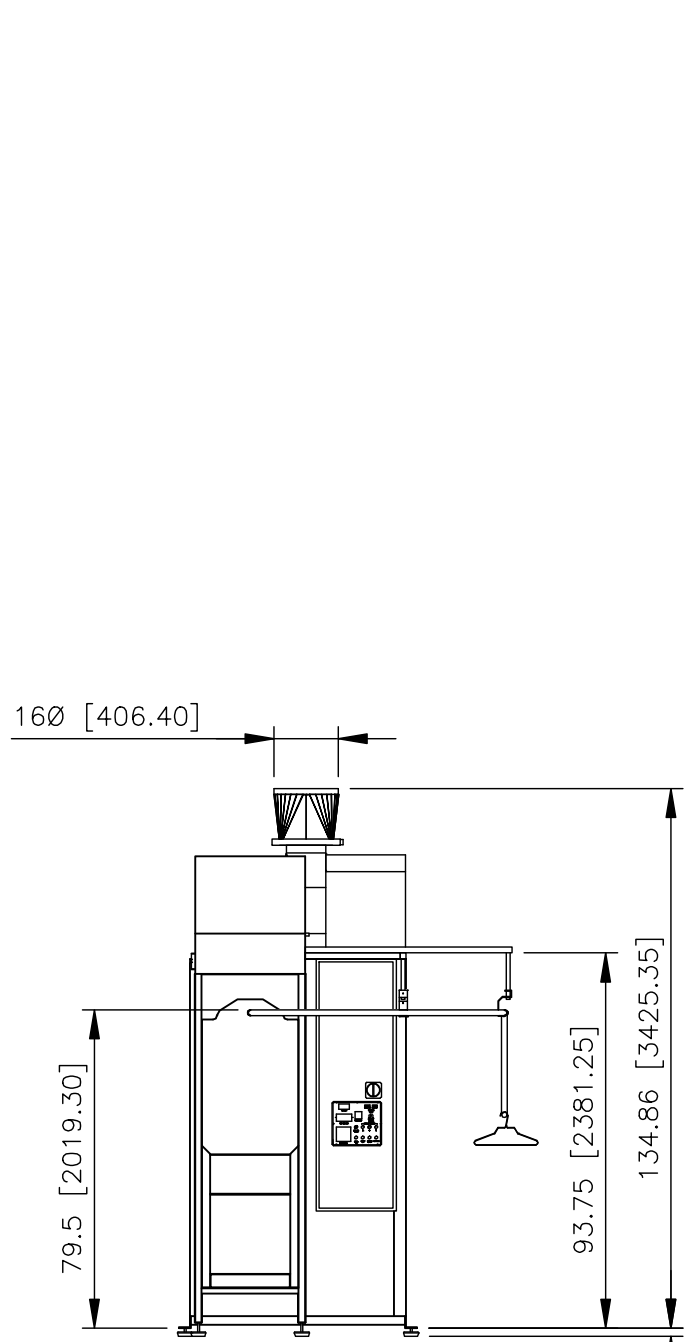
APPLICATIONS DO NOT SCALE DRAWING SCALE - UNIT WT. - SHEET: - OF -

8 7 6 5 4 3 2 1

8 7 6 5 4 3 2 1

REVISIONS					
ZONE	REV.	DESCRIPTION	DATE	BY	ENGINEERING Q.A./ENG. APPROVAL

F
E
D
C
B
A



NOTES:

- REFER TO PRODUCT LINE SPECIFICATION SHEET FOR ELECTRICAL AND MECHANICAL CONSUMPTION REQUIREMENTS.
- INFORMATION CONTAINED ON THIS DRAWING IS SUBJECT TO CHANGE WITHOUT NOTICE.

PROPRIETARY AND CONFIDENTIAL
THE INFORMATION CONTAINED IN THIS DRAWING IS THE SOLE PROPERTY OF COLMAC INDUSTRIES. ANY REPRODUCTION IN PART OR AS A WHOLE WITHOUT THE WRITTEN PERMISSION OF COLMAC INDUSTRIES IS PROHIBITED.

UNLESS OTHERWISE SPECIFIED: DIMENSIONS ARE IN INCHES [mm] TOLERANCES: FRACTIONAL: ±1/16 ANGULAR: MACH ±1° BEND ±1° TWO PLACE DECIMAL ±0.03 THREE PLACE DECIMAL ±0.001	CONTRACT NO.		COLMAC INDUSTRIES 401 N. Lincoln, Colville, Washington 99114 (509)884-4505		
	DRAWN BY: NAH	DATE: 04/03/08	TITLE: INSTALLATION AND SALES CFS 600 G/S LH LOW CONVEYOR		
	ENGINEER:	DATE:	SIZE:	DWG. NO.	REV
ENG APPR.	DATE:	B 970337-0001		-	
APPLICATIONS		SOLIDWORKS	AUTOCAD	SCALE: -	UNIT WT. -
DO NOT SCALE DRAWING		SHEET: - OF -			

8 7 6 5 4 3 2 1