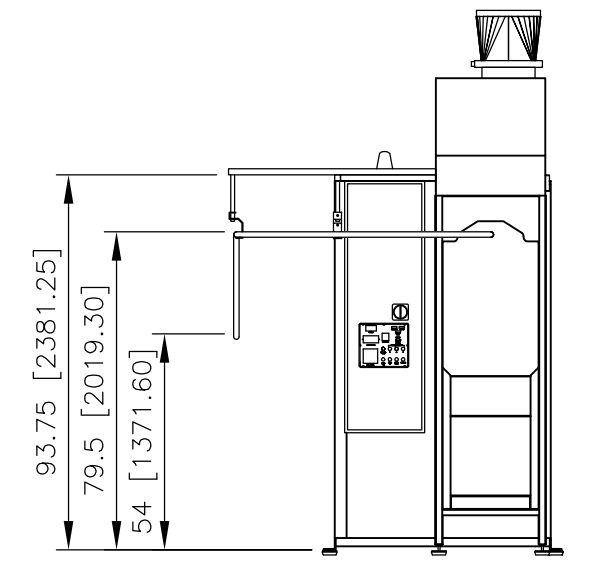
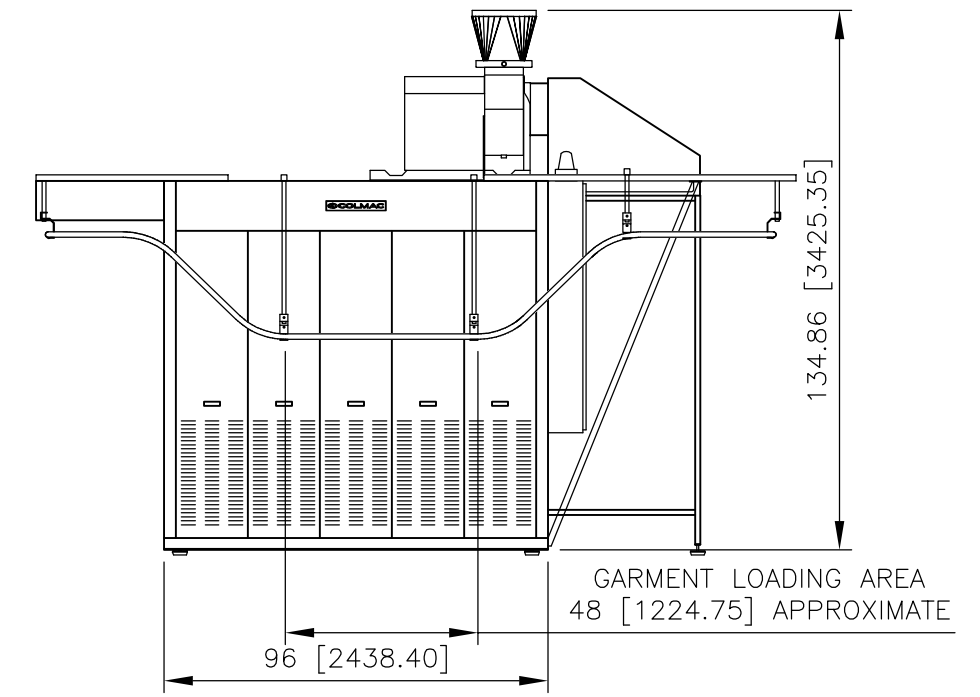
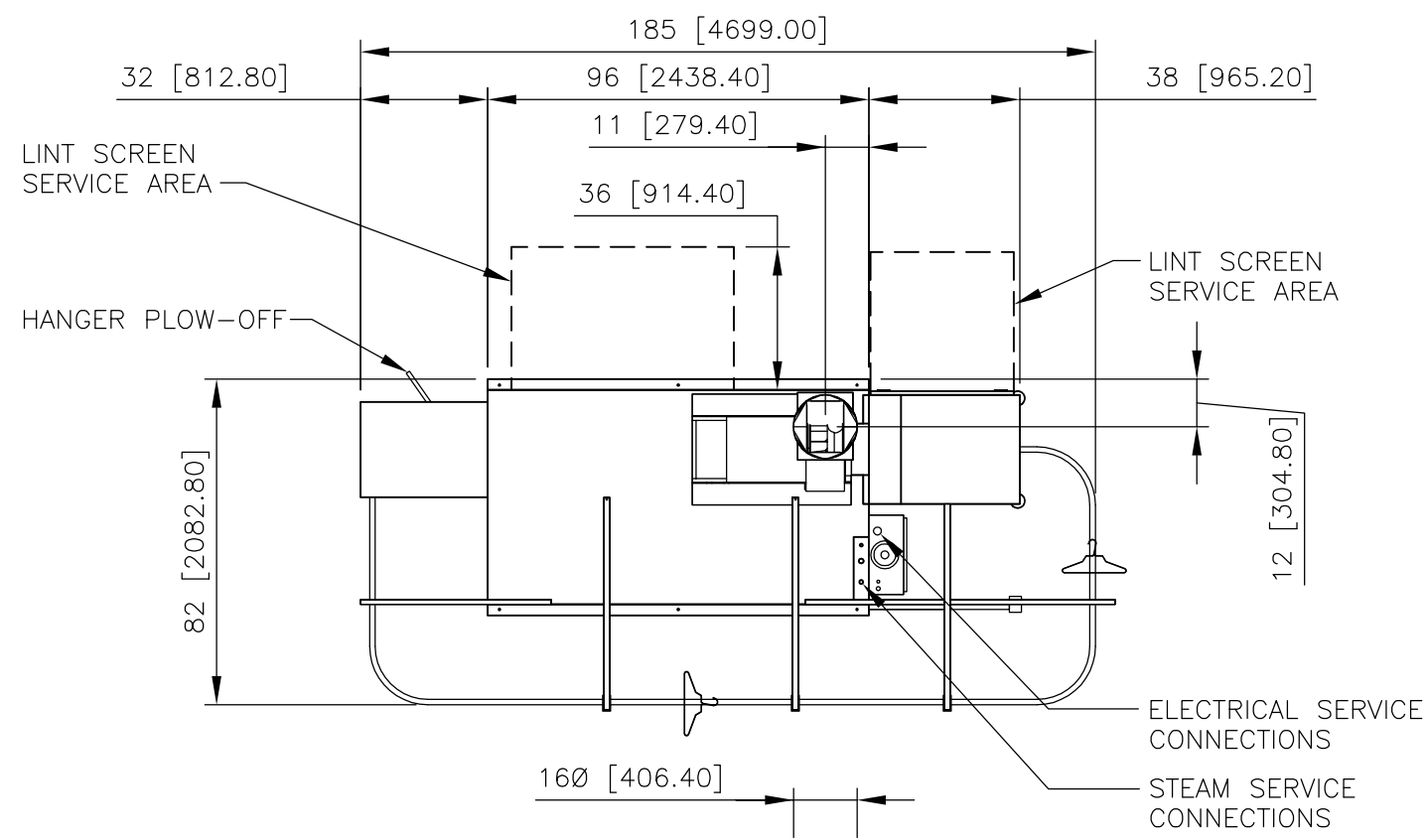


REVISIONS						
ZONE	REV.	DESCRIPTION	DATE	BY	ENGINEERING	Q.A./ENG. APPROVAL



NOTES:

1. REFER TO PRODUCT LINE SPECIFICATION SHEET FOR ELECTRICAL AND MECHANICAL CONSUMPTION REQUIREMENTS.
2. INFORMATION CONTAINED ON THIS DRAWING IS SUBJECT TO CHANGE WITHOUT NOTICE.

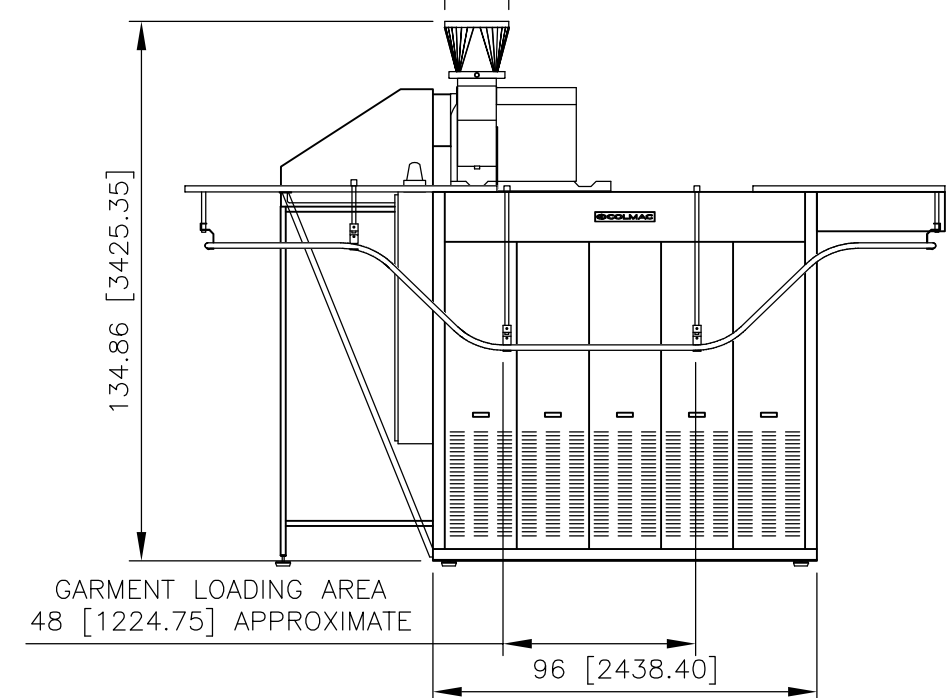
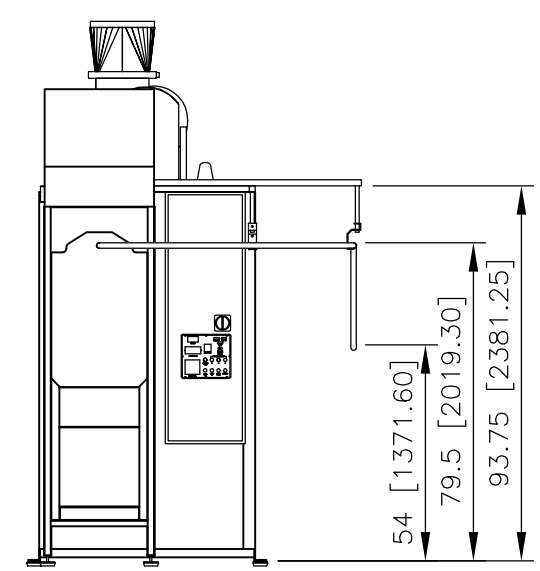
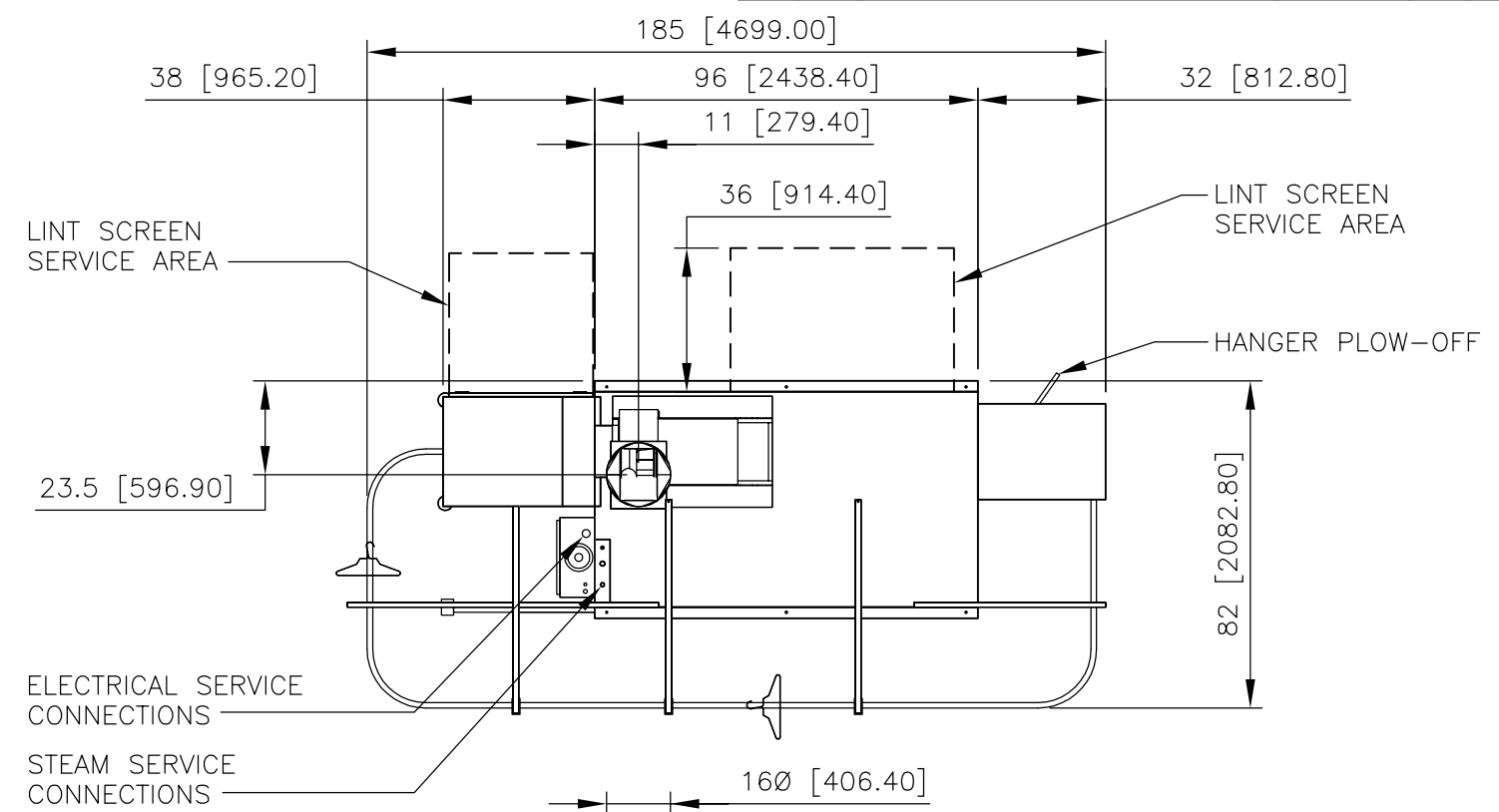
PROPRIETARY AND CONFIDENTIAL
 THE INFORMATION CONTAINED IN THIS DRAWING IS THE SOLE PROPERTY OF COLMAC INDUSTRIES. ANY REPRODUCTION IN PART OR AS A WHOLE WITHOUT THE WRITTEN PERMISSION OF COLMAC INDUSTRIES IS PROHIBITED.

REV. #	REV STATUS OF SHEET

UNLESS OTHERWISE SPECIFIED: DIMENSIONS ARE IN INCHES [mm] TOLERANCES: FRACTIONAL ±1/16 ANGULAR: MACH ±1° BEND ±1° TWO PLACE DECIMAL ±0.03 THREE PLACE DECIMAL ±0.031	CONTRACT NO.		COLMAC INDUSTRIES 401 N. Lincoln, Colville, Washington 99114 (509)684-4505	
	DRAWN BY: NAH	DATE: 04/01/08	TITLE: INSTALLATION AND SALES CFS 900 STEAM RH LOW CONVEYOR	
	ENGINEER:	DATE:	SIZE: DWG. NO.	REV
	ENG APPR.	DATE:	B 970342-0001	-
APPLICATIONS		SOLIDWORKS	AUTOCAD	SCALE: - UNIT WT. - SHEET: - OF
DO NOT SCALE DRAWING				

8 7 6 5 4 3 2 1

REVISIONS						
ZONE	REV.	DESCRIPTION	DATE	BY	ENGINEERING	Q.A./ENG. APPROVAL



NOTES:

1. REFER TO PRODUCT LINE SPECIFICATION SHEET FOR ELECTRICAL AND MECHANICAL CONSUMPTION REQUIREMENTS.
2. INFORMATION CONTAINED ON THIS DRAWING IS SUBJECT TO CHANGE WITHOUT NOTICE.

PROPRIETARY AND CONFIDENTIAL
 THE INFORMATION CONTAINED IN THIS DRAWING IS THE SOLE PROPERTY OF COLMAC INDUSTRIES. ANY REPRODUCTION IN PART OR AS A WHOLE WITHOUT THE WRITTEN PERMISSION OF COLMAC INDUSTRIES IS PROHIBITED.

UNLESS OTHERWISE SPECIFIED: DIMENSIONS ARE IN INCHES [mm] TOLERANCES: FRACTIONAL ±1/16 ANGULAR: MACH ±1° BEND ±1° TWO PLACE DECIMAL ±0.03 THREE PLACE DECIMAL ±0.031	CONTRACT NO.		COLMAC INDUSTRIES 401 N. Lincoln, Colville, Washington 99114 (509)684-4505	
	DRAWN BY: NAH	DATE: 04/01/08	TITLE: INSTALLATION AND SALES CFS 900 STEAM LH LOW CONVEYOR	
	ENGINEER:	DATE:	SIZE: DWG. NO.	REV
	ENG APPR.	DATE:	B 970343-0001	-
	SOLIDWORKS	AUTOCAD	SCALE: -	UNIT WT. -
	DO NOT SCALE DRAWING			SHEET: - OF

REV. #	REV STATUS OF SHEET

8 7 6 5 4 3 2 1