

Basic Light Frame

Improved soil counting for all types of linens including shop towels, uniforms, medical and restaurant linens.

Light Frame Basics:

A counting system consisting of one stainless steel light frame with a mounted light array bar for sensing linens or other items. Also included is a 110 VAC cord connection, an audible count beep indicator and manually re-settable digital counters.

System Features:

- Quick disconnect light arrays
- Detects even the smallest item
- Reduces errors for hand counted items
- Items can be collected directly into a sling cart
- Light frames may be configured with one or multiple frames per workstation
- Stainless steel construction
- Mounts to your existing work table
- Provides years of maintenance-free service

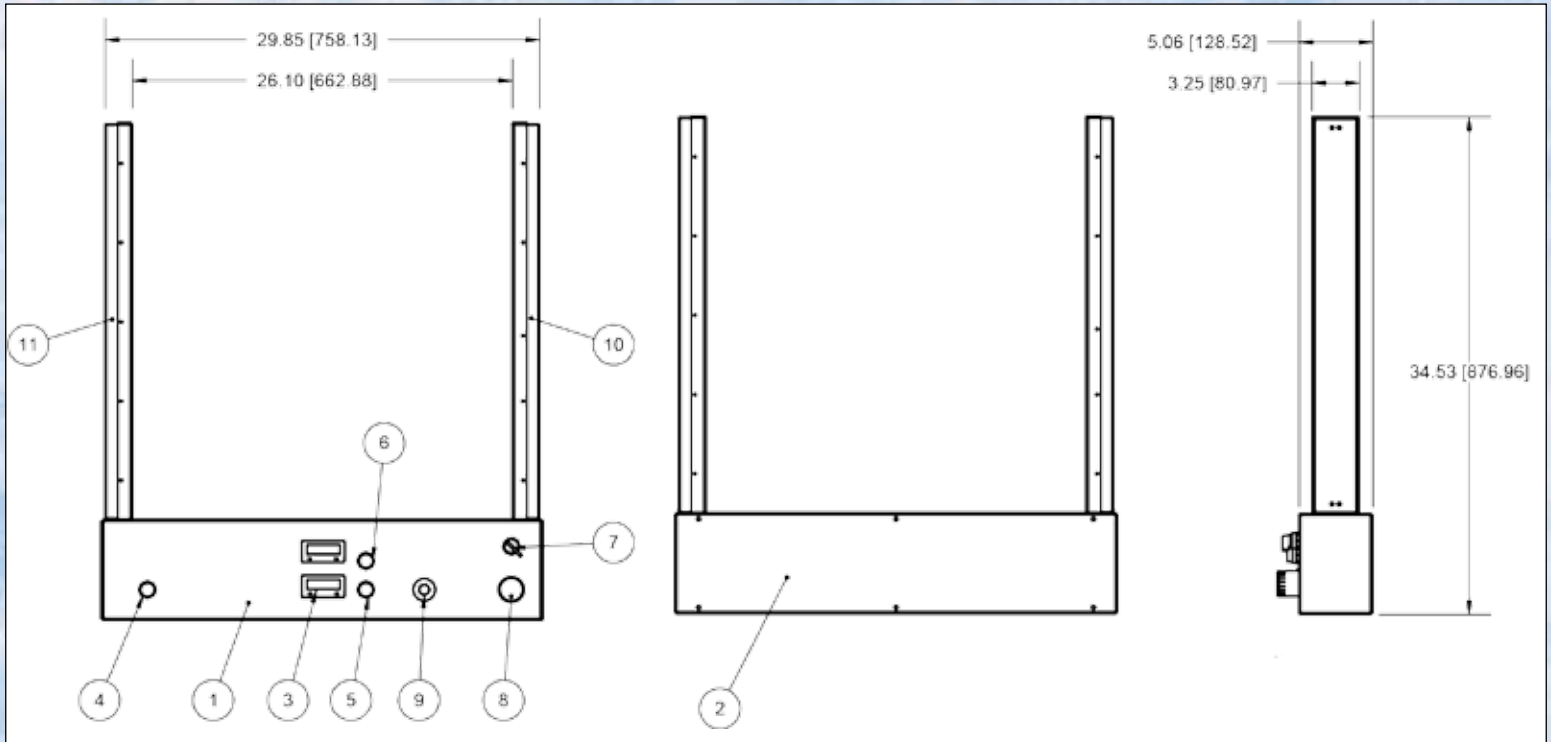


Options:

- Large display counter
- Models for sling tops or buffer bins
- Stainless steel work table, stand or wheeled cart
- Pre-settable counter with sling full alarm

Product Upgrades:

- AccuCounter® Software Light Frames
- Host Computer with Reporting Capabilities



| Item | Qty. | Description |
|------|------|------------------------------------|
| 1 | 1 | Wldmt, Main Casting, PLC Model |
| 2 | 1 | Back Panel, PLC Model |
| 3 | 2 | Counter - CUB 5 |
| 4 | 1 | Switch - Mom. Green |
| 5 | 1 | Switch - Mom. Blue |
| 6 | 1 | Switch - Mom. Yellow |
| 7 | 1 | Switch - 3 Pos. |
| 8 | 1 | Sounder, Alarm |
| 9 | 1 | Push/Pull E-Stop |
| 10 | 1 | Light Frame Upright: Emitter Side |
| 11 | 1 | Light Frame Upright: Reciever Side |

Specifications

Electrical Requirements:
120v/60hz/1ph

Amps:
5 amps

Compressed Air:
None

Why Buy Colmac?

Product Offerings:

- Full line of products for finishing department
- Industrial equipment applications
- Expandable straight through and U tunnel design
- Tunnel capacities range from 50-4500 garments/hr
- Boilerless tunnel finishers
- World's only long garment triple buck press
- Complete line of pressing equipment
- Soil sorting, counting and transport systems

Service:

- 24/7 free phone in tech support
- Experienced staff of service technicians
- 20+ years average experience
- Large inventory of spare parts in stock
- Overnight shipping until 5:00pm EST
- Two year manufacturer's warranty

...Start with accuracy, finish with quality



P.O. Box 72 • Colville, WA 99114 USA
Tel: (509) 684-4505 • (800) 926-5622 • Fax: (509) 684-4500
sales@colmacind.com • www.colmacind.com